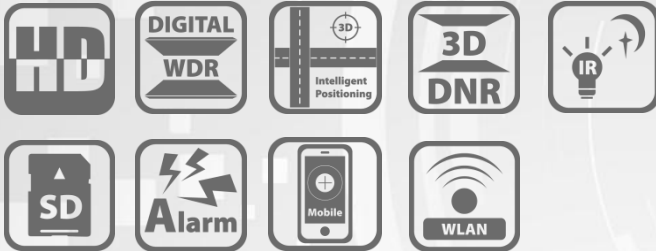


DS-2DE2103I/2202I-DE3/W 1MP/2MP Network IR Mini PTZ Dome Camera



This Micro-designed PTZ IR Mini Dome Camera shows the easiest installation, adjustment, maintenance and 20m IR that you have ever seen. It is a fantastic and practical camera for indoor area such as the café, hotels, office lobbies and small shops etc. In addition, DS-2DE2103I/2202I-DE3/W support 2X/3X zoom technology, EZVIZ Cloud P2P function and PoE&12VDC power supply. Embedded with 1/3" progressive scan CMOS chip makes DWDR and 1.3MP/2MP real-time resolution possible. With the pan/tilt, 2X/3X zoom Day/Night lens and the 20m IR lights, the camera offers more details in the indoor environments.

Hikvision DS-2DE2103I/2202I-DE3/W Mini PTZ Dome Cameras also features a wide range of functions, including intrusion detection, line crossing detection, motion detection and audio exception, benefitting users with great improvement on security efficiency, more importantly, with key events / objects being recorded for further forensic needs.

Key Features

- 1/3" Progressive Scan CMOS
- 1280 x 720/1920 x 1080
- 2X/3X Zoom
- DWDR
- Support WiFi
- 3D intelligent positioning function
- PoE(802.3af)
- Support EZVIZ cloud P2P
- Up to 20m IR distance
- Support plug & play



DS-2DE2103I/2202I-DE3/W 720P/1080P Network IR Mini PTZ Dome Camera

HiWatch



Function Description

Basic function:

- High performance CMOS, up to 1280 x 720/1920 x 1080@30fps resolution
- $\pm 0.1^\circ$ Preset Accuracy
- ONVIF(Open Network Video Interface Forum), CGI(Common Gateway Interface), PSIA(Physical Security Interoperability Alliance), to ensure greater interoperability between different platforms and compatibility
- 3D intelligent positioning function
- Power-off memory function: restore PTZ & Lens status after reboot
- PoE(802.3af)
- Support WiFi
- Support EZVIZ cloud P2P
- Up to 20m IR distance

Functions:

- Detections: intrusion detection, line crossing detection, audio exception detection, motion detection
- Recording: edge recording, support smart search in smart NVR
- Support low bit rate, ROI

Camera function:

- Auto iris, auto focus, auto white balance, backlight compensation and auto day & night switch
- Min. Illumination: 0.05Lux@(F2.0,AGC ON)(Color), 0.01Lux@(F2.0,AGC ON)(B/W)
- Support 8 privacy masks

PTZ function:

- 0-350° pan range and 0° -90° tilt range
- 60° /s Pan Preset Speed and 50° /s Tilt Preset Speed
- 0.1° -60° /s Manual Pan Speed and 0.1° -50° /s Manual Tilt Speed
- 300 presets programmable;
- 8 patrols, up to 32 presets per patrol

Network function:

- Built-in Web server
- Micro SD card local storage, up to 128GB

- Support up to 8 NAS storage; Transmit the videos from SD card to the NAS after network resumed
- HTTPS encryption and IEEE 802.1x port-based network access control
- Support dual-stream;H.264/MJPEG video compression; Basic and advanced video configuration; Real time video at 720P/1080P
- Multiple network protocols supported: IPv4/IPv6, TCP/IP, HTTP, DHCP, DNS, DDNS, RTP, RTSP, PPPoE, SMTP, NTP, UPnP, SNMP, FTP, 802.1x, QoS, HTTPS
- 1 audio input and 1 audio output
- 1 alarm input and 1 alarm output, alarm linkage support preset, recording, realay output, upload center, etc.

DS-2DE2103I/2202I-DE3/W 720P/1080P Network IR Mini PTZ Dome Camera



HiWatch



Model	DS-2DE2103I-DE3/W	DS-2DE2202I-DE3/W
Camera Module		
Image Sensor	1/3" Progressive Scan CMOS	
Min. Illumination	F2.0, AGC On: Color:0.05 lux, B/W : 0.01 lux, 0 lux with IR	
Max. Image Resolution	1280(H) × 720(V)	1920(H) × 1080(V)
Focal Length	3.6~11mm, 3x	3.6~8.6mm, 2x
Digital Zoom	16X	
Zoom Speed	Approx.1s(Wide~Tele)	
Angle of View	77~37 degree (Wide~Tele)	77~50 degree (Wide~Tele)
Aperture Range	F2.0	
Focus Mode	Auto / Semiautomatic / Manual	
DWDR	Support	
S / N Ratio	≥ 52dB	
Shutter Time	1/1~1/10,000s	
AGC	Auto / Manual	
White Balance	Auto / Manual /ATW/Indoor/Outdoor/Daylight lamp/Sodium lamp	
Day & Night	IR Cut Filter	
Privacy Mask	8 privacy masks programmable	
Enhancement	3D DNR, HLC/BLC	
Pan and Tilt		
Range	Pan: 0~350°; Tilt: 0°~90°	
Speed	Pan Manual Speed: 0.1~60°/s, Pan Preset Speed: 60°/s Tilt Manual Speed: 0.1~50°/s, Tilt Preset Speed: 50°/s	
Number of Preset	300	
Patrol	8 patrols, up to 32 presets per patrol	
Park Action	Preset/Patrol	
Scheduled Task	Preset /Reboot / Patrol / Self test/ Aux output	
Features		
Detection	Intrusion detection, line crossing detection, audio exception, motion detection	
ROI encoding	Support 4 areas with adjustable levels	
Infrared		
IR Distance	20m	
IR Intensity	Automatically adjusted, depending on the zoom ratio	
Alarm		
Alarm I/O	1/1	
Alarm Trigger	Intrusion detection, Line crossing detection, Motion detection, Audio Exception Detection, Dynamic analysis, Tampering alarm, Network disconnect, IP address conflict, Storage exception	
Alarm Action	Preset, Recording, Relay output, Upload center, upload FTP, email linkage	
Input/Output		
Audio Input	1 built-in microphone; 1 audio input (Mic/Line in), 2~2.4V[p-p]; output impedance: 1KΩ, ±10%	
Audio Output	1 Audio output interface, line level, impedance: 600Ω	
Network		
Ethernet	10Base-T / 100Base-TX, RJ45 connector	
Main Stream	50Hz: 25 fps (1280×720); 60Hz: 30 fps (1280×720)	50Hz: 25 fps (1920×1080); 60Hz: 30 fps (1920×1080)
Sub Stream	50Hz:25fps(704×576), 25fps(352×288), 25fps(320×240) 60Hz:30fps(704×480), 30fps(352×240), 30fps(320×240)	
Image Compression	H.264/ MJPEG	
Audio Compression	G.711ulaw/G.711alaw/G.726/MP2L2/G.722	
Protocols	IPv4/IPv6, HTTP, HTTPS, 802.1X, QoS, FTP, SMTP, UPnP, SNMP, DNS, DDNS, NTP, RTSP, RTP, TCP, UDP,IGMP, ICMP, DHCP, PPPoE	
Simultaneous Live View	Up to 20 users	
Mini SD Memory Card	Support up to 128GB Micro SD/SDHC/SDXC card. Support Edge recording	
User/Host Level	Up to 32 users,3 Levels: Administrator, Operator and User	
Security Measures	User authentication (ID and PW); Host authentication (MAC address); IP address filtering	

DS-2DE2103I/2202I-DE3/W 720P/1080P Network IR Mini PTZ Dome Camera



HiWatch



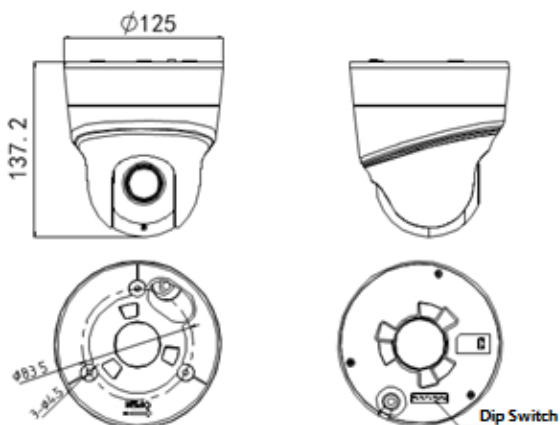
Wi-Fi Specification

Wireless Standards	IEEE802.11b, 802.11g, 802.11n
Frequency Range	2.4 GHz ~ 2.4835 GHz
Channel Bandwidth	20/40MHz Support
Protocols	802.11b: CCK, QPSK, BPSK 802.11g/n: OFDM
Security	64/128-bit WEP, WPA/WPA2, WPA-PSK/WPA2-PSK, WPS
Transmit Output Power	11b: 17±1.5dBm @ 11Mbps 11g: 14±1.5dBm @ 54Mbps 11n: 12.5±1.5dBm
Receive Sensitivity	11b: -90dBm @ 11Mbps (Typical) 11g: -75dBm @ 54Mbps (Typical) 11n: -74dBm (Typical)
Transfer Rates	11b: 11Mbps 11g: 54Mbps 11n: up to 150Mbps
Wireless Range	50m(depend on environment)
Wireless Standards	IEEE802.11b, 802.11g, 802.11n

System Integration

Application programming	Open-ended API, support Onvif, PSIA, CGI and Genetec Support EZVIZ cloud P2P
Web Browser	IE 7+, Chrome 18+, Firefox 5.0+, Safari 5.02+
Power	POE&12 VDC, Max. 9W(IR: 5.9W Max.)
Working Temperature	-10℃~50℃(14℉~122℉)(indoor dome)
Humidity	90% or less
Protection Level	IP54, TVS 4,000V lightning protection, surge protection and voltage transient protection
Certification	FCC, CE, UL, RoHS, IEC/EN 61000, IEC/EN 55022, IEC/EN 55024, IEC/EN60950-1
Dimensions	Φ125×137.2mm
Weight (approx.)	650g
Mount Option	Wall mount: DS-1294ZJ

Dimensions



Accessories



DS-1294ZJ
Wall Mount



DS-1100KI
Network Keyboard



DS-1005KI
USB Joy-stick